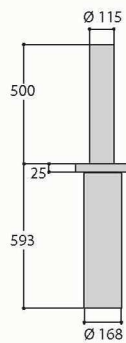


Dampy B

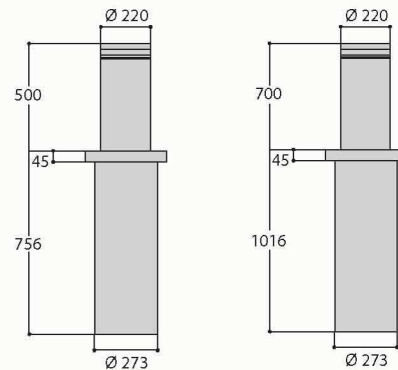
→ These gas-spring operated rising bollards were designed to offer road access control at competitive prices and with an extremely simple operation. They are operated using special keys now used throughout Europe in public places. They are lowered at the press of a foot and are automatically locked into place at the bottom. Given their size and similar appearance, they can be used in mixed installations to cover wide passages managed by both electric and gas operated bollards. The models are available with grey painted RAL 7015 rods, lights cap, adhesive strip H:100 mm. 220 mm diameter models are available also with lights and stainless steel stem.



DAMPY B Ø115/500
DAMPY B Ø115/500 INOX



DAMPY B Ø220/500-700
DAMPY B Ø220/500-700 INOX



TECHNICAL CHARACTERISTICS

	DAMPY B Ø115/500	DAMPY B Ø220/500	DAMPY B Ø220/700
Rod size	Ø115 mm H: 500 mm	Ø220 mm H: 500 mm	Ø220 mm H:700 mm
Rod thickness	4 mm	6 mm	6 mm
Impact resistance	5,000 JOULES	10,000 JOULES	10,000 JOULES
Break-in proof	30,000 JOULES	60,000 JOULES	60,000 JOULES
Rod treatment	Cataphoresis	Cataphoresis	Cataphoresis
Rod movement	Internal gas spring	Internal gas spring	Internal gas spring
Lifting thrust	100 N	170 N	150 N
Surface finish	grey paint RAL 7015 + rear-reflecting film	grey paint RAL 7015 + rear-reflecting film	grey paint RAL 7015 + rear-reflecting film
Rod locking	with triangle key	with triangle key or special mapping (security key)	with triangle key or special mapping (security key)