

Description

Just 13 cm thick, the TIZIANO is one of the most compact operators on the market and can be installed in any architectural context.

With the radio receiver incorporated in the control unit, the TIZIANO can store the codes of as many as 10 MITTO or KLEIO series remote controls and/or wireless control systems such as RB or T-BOX.



Anti-break-in blocking system: The exclusive rail-carriage system allows the door to be locked in the closed position even after emergency manual closing.



D-TRACK: Safety first. This is the basic principle behind all BFT operators, and therefore also the TIZIANO. In fact, the intelligent D-Track movement control system enables the microprocessor to know the exact position and speed of the door at any time, thus guaranteeing absolute perfection in movement, the safest and most reliable anti-crushing system on the market, and automatic adaptation to weather conditions and door wear.



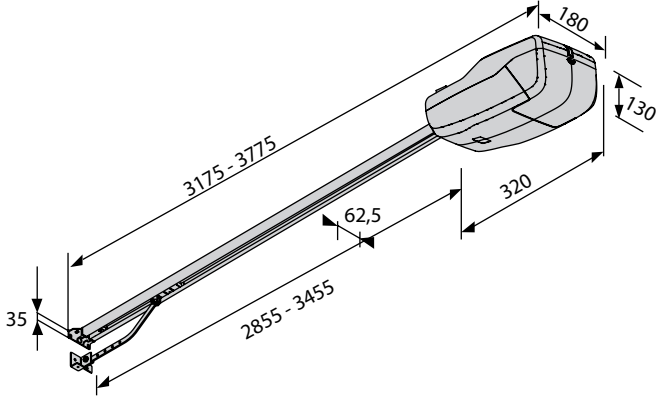
Encoder limit switches: Encoder and D-Track combined in a single operator. The technological level and reliability of the system have made it possible to do away with external stops while still guaranteeing maximum door stopping and positioning precision.



Summary table

Code	Name	Kits	Voltage	Tractive force	Legend	Door surface area
P915199 00002	TIZIANO B GDA 260 S01		24V	60kg	A	10m ²

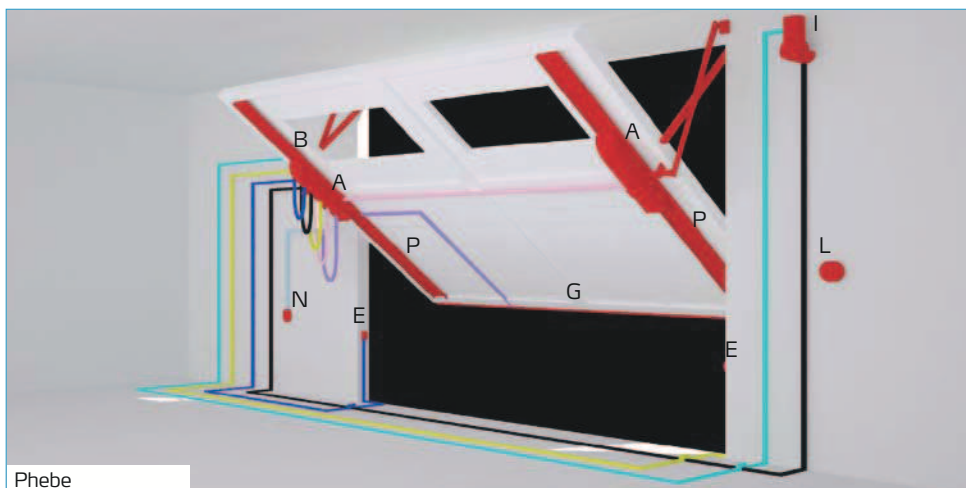
Dimensions



Technical features

	TIZIANO B GDA 260 S01
Control unit	VENERE B GDA
Power supply	24V
Power input	100W
Type of limit switch	Encoder
Gate speed	6.6m/min
Slowdown	Yes
Impact reaction	Electronic force limiter
Locking	Mechanical
Release	Cord or steel cable
Frequency of use	Semi-intensive
Environmental conditions	from - 20°C to 0°C
Protection rating	IPX0
Actuator weight	5kg

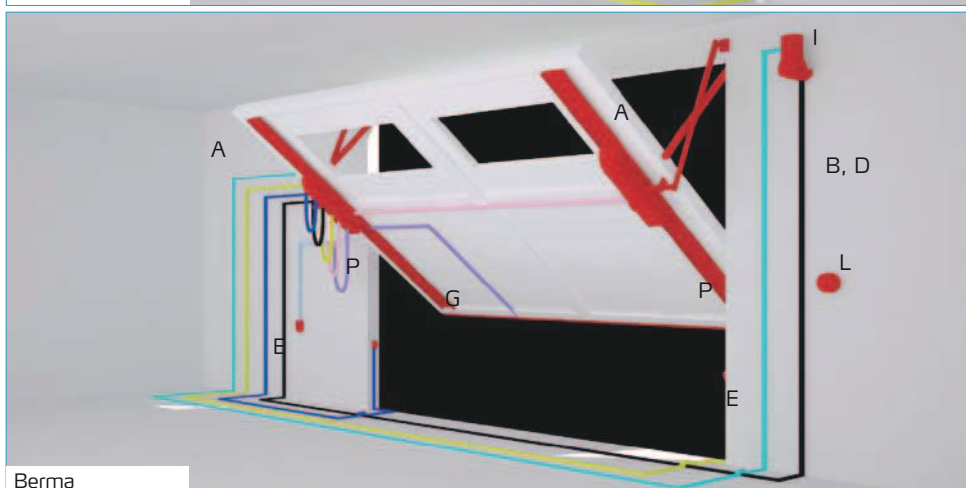
A	Operator
B	Control unit
C	Backup Batteries
D	Receiver
E	Photocell
G	Sensitive edge
H	Post
I	Flashing Beacon
L	Control system (key selector switch, keypad, badge reader)
N	Junction box
P	Fitting system
	2x1.5
	3x1.5
	5x1.5
	RG 58
	3x1
	5x1
	2x1
	9x0.5
	4x2.5



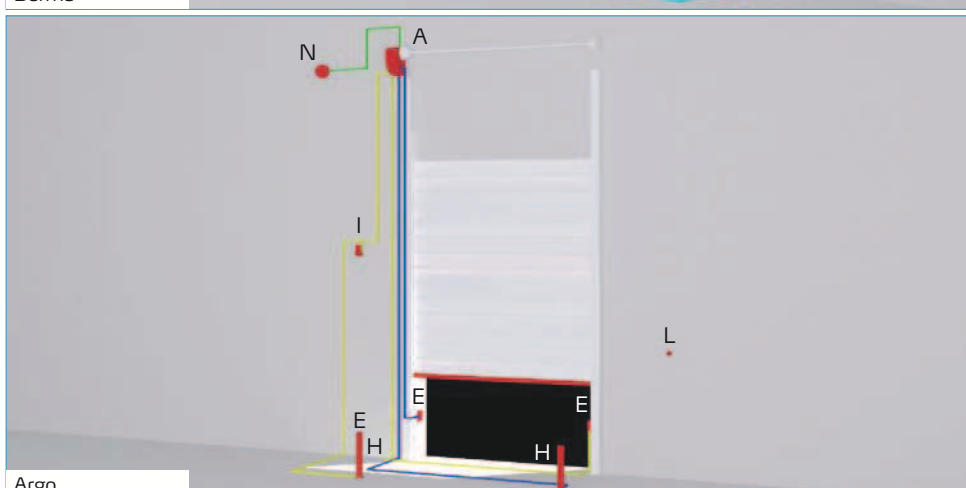
Phebe



Botticelli / Eos120



Berma



Argo



TIZIANO



SET/S N733069
External release for insulated sectional and overhead doors of thickness up to 50 mm. SET/S

P



BIN B GDA 3020 CAT P115015 00001
Chain rail for TIZIANO B GDA, length 3020 mm, useful travel 2560 mm



BIN B GDA 3620 CAT P115015 00002
Chain rail for TIZIANO B GDA, length 3620 mm, useful travel 3160 mm



BIN B GDA 2X1510 CAT P115015 00003
Chain track divided into two halves for TIZIANO B GDA, length 2x1510 mm, useful travel 2560 mm



BIN B GDA 2X1810 CAT P115015 00004
Chain track divided into two halves for TIZIANO B GDA, length 2x1810 mm, useful travel 3160 mm



SAS KIT STAFFE A SOFFITTO B GDA 260 B01 N999533
Brackets for ceiling mounting of TIZIANO B GDA operator

BOTTICELLI / EOS120



PBE N733391
Complete kit for extending the useful travel of the BOTTICELLI and EOS 120 chain rails by 1 m.



BRCT P115002
Adapter arm for the motorisation of overhead doors with EOS 120 and BOTTICELLI operators



APT N999060
Assembly for fitting BOTTICELLI, EOS 120 at over 30 cm from the ceiling



TA BIN N999370
Vibration damper plugs for EOS120 and BOTTICELLI, (pack of 4 plugs)



ST P115003
Automatic bolt release for sectional doors

P



SET/S N733069
External release for insulated sectional and overhead doors of thickness up to 50 mm. SET/S

P



CB EOS P125006
Set of backup batteries for VENERE D

C



BIN120 CATENA 2900 P115010 00001
Chain rail for EOS 120, length 2900 mm, useful travel 2400 mm



BIN CATENA 2900 SINT P115020 00001
Chain rail for BOTTICELLI B CRC, length 2900 mm, useful travel 2400 mm



BIN CATENA 3500 SINT P115020 00002
Chain rail for BOTTICELLI B CRC, length 3500 mm, useful travel 3000 mm



BIN CATENA 2X1750 SINT P115021 00002
Chain track divided into two halves for Botticelli B CRC, length 3500, working stroke 3000 mm



BIN CINGHIA 2900 PIG FE P115022 00001
Belt rail for BOTTICELLI B CRC, length 2900 mm, useful travel 2400 mm



BIN CINGHIA 3500 PIG FE P115022 00002
Belt rail for BOTTICELLI B CRC, length 3500 mm, useful travel 3000 mm



BIN CINGHIA 2X1750 PIG FE P115023 00002
Belt track divided into two halves for Botticelli B CRC, length 3500, working stroke 3000 mm

	<p>ALCOR N D113706 00002</p> <p>Control panel for one or two 230V/300W operators for swing gates</p>		<p>RIGEL 5 D113693 00003</p> <p>Universal control panel for one or two 230V operators - 600+600W</p>
	<p>ALPHA SD D113680 00002</p> <p>Universal control panel for a 230V/500W single phase operator</p>		<p>HYDRA N QSG2 D113730 00002</p> <p>HYDRA N control board in panel QSG2</p>
	<p>BT BAT P125005</p> <p>Set of backup batteries for LIBRA C MA, LIBRA C LX, HYDRA N, ARGO</p>		<p>BT BATI P125007</p> <p>Set of backup batteries for HYDRA N QSG2</p>
	<p>B EBA 201 R01 P111468</p> <p>Expansion board for connection of central units with serial controls management</p>		<p>B EBA 201 R02 P111466</p> <p>INPUT/OUTPUT expansion board</p>
	<p>B EBA 201 R03 P111467</p> <p>Expansion board for WIEGAND accessories connection management</p>		<p>B EBA 201 R04 P111469</p> <p>Expansion board for BLUETOOTH connection management</p>
	<p>SPL D113050</p> <p>Pre-heating board with thermostat for 230V hydraulic operators. Not usable with RIGEL 5</p>		<p>SSR5 D111704</p> <p>Board for traffic-light management and pre-heating 230V hydraulic motors for RIGEL5</p>
	<p>SCS 1 P111376</p> <p>Serial board for connection to zone and opposing leaves for control units with display</p>		<p>SCS WIE P111408</p> <p>Board for connection to SELETTO (E) keypad and COMPASS SLIM proximity reader</p>
	<p>KLEIO B RCA02 R1 D111888</p> <p>12V two-channel transmitter 433MHz rolling code. Soft touch treatment</p>		<p>KLEIO B RCA02 R2 D111889</p> <p>12V two-channel transmitter 433MHz, copyable with rolling code. Soft touch treatment</p>
	<p>KLEIO B RCA02 R3 N999519</p> <p>12V two-channel transmitter 433MHz rolling code. Soft touch treatment. Pack of 100 items, numbered for block memorisation</p>		<p>KLEIO B RCA04 R1 D111890</p> <p>12V four-channel transmitter 433MHz rolling code. Soft touch treatment KLEIO</p>
	<p>KLEIO B RCA04 R2 D111891</p> <p>12V four-channel transmitter 433MHz, copyable with rolling code. Soft touch treatment</p>		<p>KLEIO B RCA04 R3 N999520</p> <p>12V four-channel transmitter 433MHz rolling code. Soft touch treatment. Pack of 100 items, numbered for block memorisation</p>


MITTO B RCB02 R1 D111904

12V two-channel transmitter 433MHz rolling code


MITTO B RCB02 R2 D111905

12V two-channel transmitter 433MHz, copyable with rolling code


MITTO B RCB02 R3 N999542

12V two-channel transmitter 433MHz rolling code. Pack of 100 items, numbered for block memorisation


MITTO B RCB04 R1 D111906

12V four-channel transmitter 433MHz rolling code


MITTO B RCB04 R2 D111907

12V four-channel transmitter 433MHz, copyable with rolling code


MITTO B RCB04 R3 N999543

12V four-channel transmitter 433MHz rolling code. Pack of 100 items, numbered for block memorisation


CLIP1 B 00 R03 N999522

Wall mounting clip for KLEIO B RCA and MITTO B RCB remote controls. 30 unit pack


CLIP1 B 00 R03 N999521

T-BOX P121019

Wireless digital keypad 433 MHz Rolling code

L


RB P121016

4-channel wall-mounted radio control with rolling code

L


SEK P121017

External key selector switch with vandal-proof metal frame

L


RADIUS B LTA 230 R1 D113748 00002

Flashing beacon with built-in antenna for 230V motors

I


RADIUS B LTA 230 R2 D113749 00002

Flashing beacon without built-in antenna for 230V motors

I


RADIUS B LTA 24 R1 D113748 00003

Flashing beacon with built-in antenna for 24V motors

I


RADIUS B LTA 24 R2 D113749 00003

Flashing beacon without built-in antenna for 24V motors

I


B 00 R01 P123026

Metal guard for B LTA

I


B 00 R02 P123025

Wall mounting for B LTA series flashing beacons

I