



Description

Electromechanical operators for intensive/very intensive use, designed for the automation of sectional garage doors.

Suitable for installation in any context, from residential to multi-residential, thanks to the wide range of different length chain rails available.

The control unit and encoder limit switch with mechanical stop are incorporated in the operator and rail respectively.

D-TRACK

24V

((€R-Ready))



Built-in control unit with automatic learning of opening and closing force.



Encoder and exclusive D-Track force management system for safe installations in all conditions.



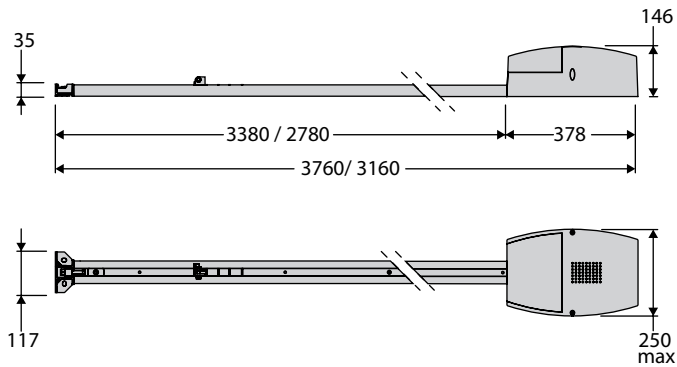
High-strength galvanised steel rail with ducts to facilitate the routing of the cables.



Summary table

	Code	Name	Kits	Voltage	Tractive force	Legend	Door surface area
D-TRACK	P915201 00002	BOTTICELLI B CRC 480 D01		24V	80kg	A	13m ²
D-TRACK	P915195 00002	EOS 120		24V	120kg	A	16m ²
D-TRACK	P915194 00002	BOTTICELLI		24V	60kg	A	10m ²

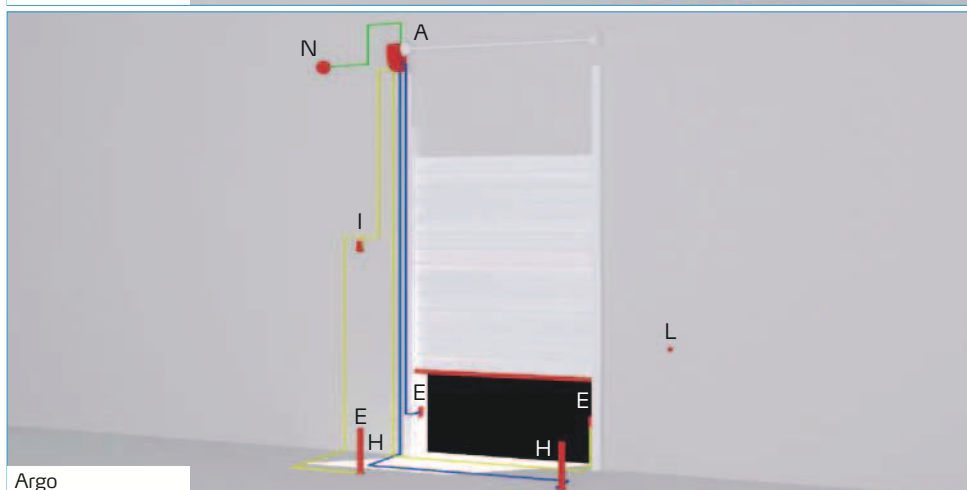
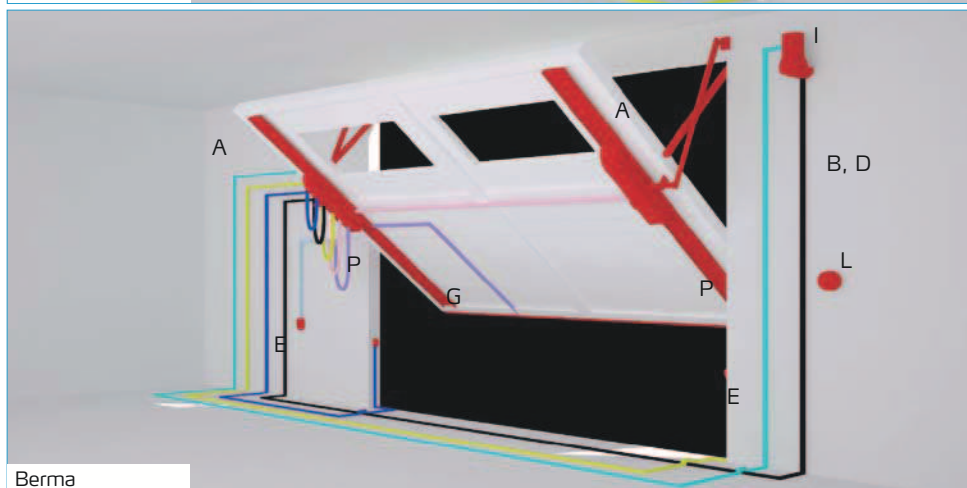
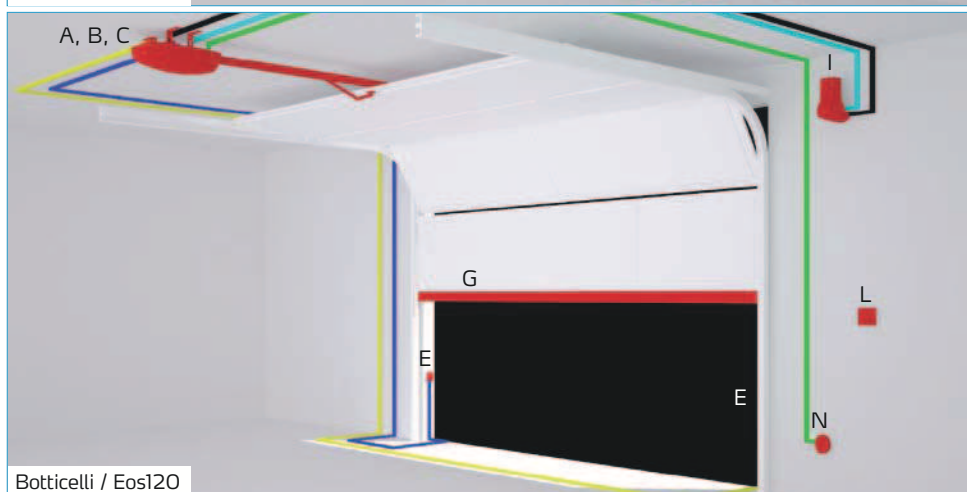
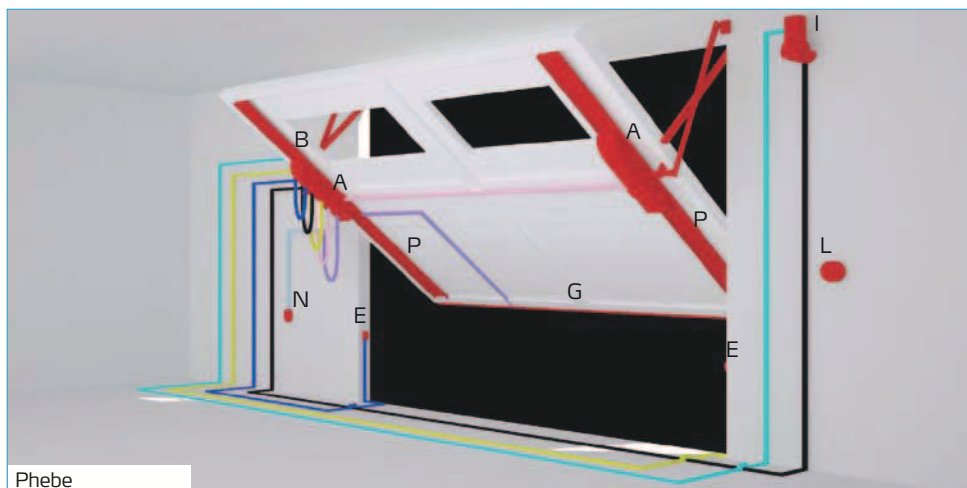
Dimensions



Technical features

	BOTTICELLI	BOTTICELLI B CRC 480 D01	EOS 120
Control unit	VENERE	VENERE D	
Power supply	24V	24V	24V
Power input	150W	236W	236W
Type of limit switch	Encoder + mechanical stop for opening	Encoder + mechanical stop for opening	Encoder + mechanical stop for opening
Gate speed	5m/min	5m/min	4.5m/min
Slowdown	Yes	Yes	Yes
Impact reaction	Electronic force limiter	Electronic force limiter	Electronic force limiter
Locking	Mechanical	Mechanical	Mechanical
Release	Cord or steel cable	Cord or steel cable	Cord or steel cable
Frequency of use	Intensive	Intensive	Very-intensive
Environmental conditions	from -15°C to 0°C		
Protection rating	IPX0		
Actuator weight	5kg	5kg	5kg

A	Operator
B	Control unit
C	Backup Batteries
D	Receiver
E	Photocell
G	Sensitive edge
H	Post
I	Flashing Beacon
L	Control system (key selector switch, keypad, badge reader)
N	Junction box
P	Fitting system
2x1.5	
3x1.5	
5x1.5	
RG 58	
3x1	
5x1	
2x1	
9x0.5	
4x2.5	





TIZIANO



SET/S N733069

External release for insulated sectional and overhead doors of thickness up to 50 mm. SET/S

P



BIN B GDA 3020 CAT P115015 00001

Chain rail for TIZIANO B GDA, length 3020 mm, useful travel 2560 mm



BIN B GDA 3620 CAT P115015 00002

Chain rail for TIZIANO B GDA, length 3620 mm, useful travel 3160 mm



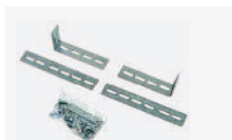
BIN B GDA 2X1510 CAT P115015 00003

Chain track divided into two halves for TIZIANO B GDA, length 2x1510 mm, useful travel 2560 mm



BIN B GDA 2X1810 CAT P115015 00004

Chain track divided into two halves for TIZIANO B GDA, length 2x1810 mm, useful travel 3160 mm



SAS KIT STAFFE A SOFFITTO B GDA 260 B01 N999533

Brackets for ceiling mounting of TIZIANO B GDA operator

BOTTICELLI / EOS120



PBE N733391

Complete kit for extending the useful travel of the BOTTICELLI and EOS 120 chain rails by 1 m.



BRCT P115002

Adapter arm for the motorisation of overhead doors with EOS 120 and BOTTICELLI operators



APT N999060

Assembly for fitting BOTTICELLI, EOS 120 at over 30 cm from the ceiling



TA BIN N999370

Vibration damper plugs for EOS120 and BOTTICELLI, (pack of 4 plugs)



ST P115003

Automatic bolt release for sectional doors

P



SET/S N733069

External release for insulated sectional and overhead doors of thickness up to 50 mm. SET/S

P



CB EOS P125006

Set of backup batteries for VENERE D

C



BIN120 CATENA 2900 P115010 00001

Chain rail for EOS 120, length 2900 mm, useful travel 2400 mm



BIN CATENA 2900 SINT P115020 00001

Chain rail for BOTTICELLI B CRC, length 2900 mm, useful travel 2400 mm



BIN CATENA 3500 SINT P115020 00002

Chain rail for BOTTICELLI B CRC, length 3500 mm, useful travel 3000 mm



BIN CATENA 2X1750 SINT P115021 00002

Chain track divided into two halves for Botticelli B CRC, length 3500, working stroke 3000 mm



BIN CINGHIA 2900 PIG FE P115022 00001

Belt rail for BOTTICELLI B CRC, length 2900 mm, useful travel 2400 mm



BIN CINGHIA 3500 PIG FE P115022 00002

Belt rail for BOTTICELLI B CRC, length 3500 mm, useful travel 3000 mm



BIN CINGHIA 2X1750 PIG FE P115023 00002

Belt track divided into two halves for Botticelli B CRC, length 3500, working stroke 3000 mm

	<p>ALCOR N D113706 00002</p> <p>Control panel for one or two 230V/300W operators for swing gates</p>		<p>RIGEL 5 D113693 00003</p> <p>Universal control panel for one or two 230V operators - 600+600W</p>
	<p>ALPHA SD D113680 00002</p> <p>Universal control panel for a 230V/500W single phase operator</p>		<p>HYDRA N QSG2 D113730 00002</p> <p>HYDRA N control board in panel QSG2</p>
	<p>BT BAT P125005</p> <p>Set of backup batteries for LIBRA C MA, LIBRA C LX, HYDRA N, ARGO</p>		<p>BT BATI P125007</p> <p>Set of backup batteries for HYDRA N QSG2</p>
	<p>B EBA 201 R01 P111468</p> <p>Expansion board for connection of central units with serial controls management</p>		<p>B EBA 201 R02 P111466</p> <p>INPUT/OUTPUT expansion board</p>
	<p>B EBA 201 R03 P111467</p> <p>Expansion board for WIEGAND accessories connection management</p>		<p>B EBA 201 R04 P111469</p> <p>Expansion board for BLUETOOTH connection management</p>
	<p>SPL D113050</p> <p>Pre-heating board with thermostat for 230V hydraulic operators. Not usable with RIGEL 5</p>		<p>SSR5 D111704</p> <p>Board for traffic-light management and pre-heating 230V hydraulic motors for RIGEL5</p>
	<p>SCS 1 P111376</p> <p>Serial board for connection to zone and opposing leaves for control units with display</p>		<p>SCS WIE P111408</p> <p>Board for connection to SELETTO (E) keypad and COMPASS SLIM proximity reader</p>
	<p>KLEIO B RCA02 R1 D111888</p> <p>12V two-channel transmitter 433MHz rolling code. Soft touch treatment</p>		<p>KLEIO B RCA02 R2 D111889</p> <p>12V two-channel transmitter 433MHz, copyable with rolling code. Soft touch treatment</p>
	<p>KLEIO B RCA02 R3 N999519</p> <p>12V two-channel transmitter 433MHz rolling code. Soft touch treatment. Pack of 100 items, numbered for block memorisation</p>		<p>KLEIO B RCA04 R1 D111890</p> <p>12V four-channel transmitter 433MHz rolling code. Soft touch treatment KLEIO</p>
	<p>KLEIO B RCA04 R2 D111891</p> <p>12V four-channel transmitter 433MHz, copyable with rolling code. Soft touch treatment</p>		<p>KLEIO B RCA04 R3 N999520</p> <p>12V four-channel transmitter 433MHz rolling code. Soft touch treatment. Pack of 100 items, numbered for block memorisation</p>


MITTO B RCB02 R1 D111904

12V two-channel transmitter 433MHz rolling code


MITTO B RCB02 R2 D111905

12V two-channel transmitter 433MHz, copyable with rolling code


MITTO B RCB02 R3 N999542

12V two-channel transmitter 433MHz rolling code. Pack of 100 items, numbered for block memorisation


MITTO B RCB04 R1 D111906

12V four-channel transmitter 433MHz rolling code


MITTO B RCB04 R2 D111907

12V four-channel transmitter 433MHz, copyable with rolling code


MITTO B RCB04 R3 N999543

12V four-channel transmitter 433MHz rolling code. Pack of 100 items, numbered for block memorisation


CLIP1 B 00 R03 N999522

Wall mounting clip for KLEIO B RCA and MITTO B RCB remote controls. 30 unit pack


CLIP1 B 00 R03 N999521

T-BOX P121019

Wireless digital keypad 433 MHz Rolling code

L


RB P121016

4-channel wall-mounted radio control with rolling code

L


SEK P121017

External key selector switch with vandal-proof metal frame

L


RADIUS B LTA 230 R1 D113748 00002

Flashing beacon with built-in antenna for 230V motors

I


RADIUS B LTA 230 R2 D113749 00002

Flashing beacon without built-in antenna for 230V motors

I


RADIUS B LTA 24 R1 D113748 00003

Flashing beacon with built-in antenna for 24V motors

I


RADIUS B LTA 24 R2 D113749 00003

Flashing beacon without built-in antenna for 24V motors

I


B 00 R01 P123026

Metal guard for B LTA

I


B 00 R02 P123025

Wall mounting for B LTA series flashing beacons

I